

## DS-2TD2TPAN-A/V1

Handheld Thermography Thermal Camera



The handheld thermal camera, specially designed to detect elevated skin-surface temperature with high accuracy in real time. It is equipped with a 160×120 resolution thermal detector, can be widely used for preliminary temperature screening in office buildings, factories, stations, airports and other public places.

### Key Feature

- 160 × 120 resolution (thermal), and 8 MP resolution (optical)
- Thermographic accuracy up to  $\pm 0.5$  °C
- Display fusion of thermal view and optical view.
- 640 × 480 resolution 3.5" LCD touch display
- Support live view on PC, mobile device or external monitor
- Support audio intercom
- Support color highlight alarm and audio alarm



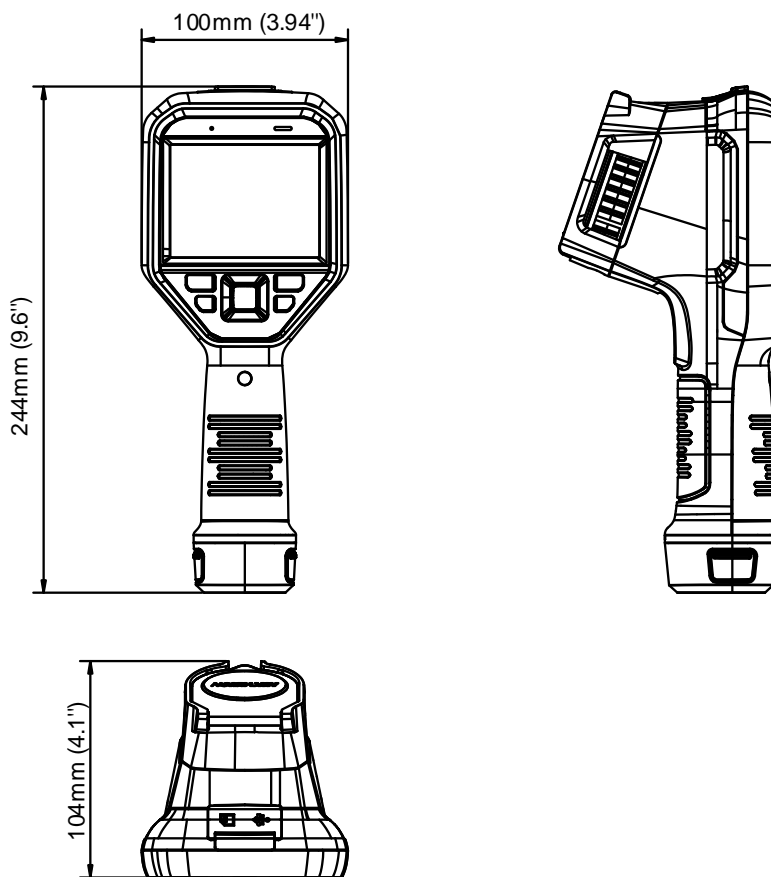
## Specification

Model		DS-2TD2TPAN-A/V1
Parameter		Thermographic Handheld Camera
Thermal Module	Image sensor	Uncooled Focal Plane Arrays
	Resolution	25Hz: 160 × 120
	Pixel Pitch	17μm
	Response waveband	8μm to 14μm
	NETD	< 40 mk (@ 25 °C,F#=1.0)
	Field of View	25° × 18.7°
	Focal length	6.2 mm (Manual focus)
	IFOV	2.74 mrad
Optical Module	Aperture	F 1.1
	Picture Resolution	Configurable: 2 MP, 5 MP, 8 MP
	Video Resolution	640 × 480
	Monitor	640 × 480 resolution 3.5" LCD touch display
Image Display	Palettes	Black hot, White hot, Red hot, Rainbow, Ironbow, Fusion, Rain
	Digital Zoom	Thermal: 1×, 2×, 4×
	Thermal / Optical	Thermal/Optical/Fusion image/Picture in picture
	Picture in Picture	Support Thermal View in Optical View
	Fusion	Support (Thermal View and Optical View Combined)
	Record Video	Support on-board video recording
Thermography	Rules	Max. Temperature; Min. Temperature; Center Temperature; Custom Point/Line/Area Thermography
	Range	30°C to 45 °C
	Accuracy	± 0.5 °C (For accurate measurement, must be used under 10 °C to 35 °C at indoor and windless environment only)
Battery	Battery Type	Dismountable and rechargeable Li-ion Battery
	Battery Operating Time	5 hours in normal temperature, with Wi-Fi, Bluetooth, and supplement light off.
		4 hours in normal temperature, with Wi-Fi, Bluetooth, and supplement light on.
	Storage	Built-in memory module (16 G)
	Photo	Thermal/Optical/Fusion image
	Video	Thermal/Optical/Fusion image
	Wi-Fi	Support
	Text Comment	Support
Voice Comment	Support	
General	Language	English
	Power	5 VDC/2 A
	Power Consumption	Max. 4.5 W
	Hardware Interface	Type-C Interface
	Working Temperature	-20°C to 50 °C
	Protection level	IP54
Drop Test Height	2 m (6.56 feet)	

Dimension	244 mm × 100 mm × 104 mm (9.6 " × 3.9 " × 4.1 ")
Weight	With Battery: 653 g (1.44 lb) Without Battery: 511 g (1.13 lb)

**Available Model**

DS-2TD2TPAN-A/V1

**Dimension**

Distributed by

**HIKVISION®****Headquarters**

No.555 Dianmo Road, Binjiang District,  
Hangzhou 310051, China  
T +86-571-8807-5998  
overseasbusiness@hikvision.com

**Hikvision USA**  
T +1-909-895-0400  
sales.usa@hikvision.com

**Hikvision Italy**  
T +39-0438-6902  
info.it@hikvision.com

**Hikvision Singapore**  
T +65-6684-4718  
sg@hikvision.com

**Hikvision Africa**  
T +27 (10) 0351172  
sale.africa@hikvision.com

**Hikvision Europe**  
T +31-23-55-42-770  
info.eu@hikvision.com

**Hikvision France**  
T +33(0)1-85-330-450  
info.fr@hikvision.com

**Hikvision Oceania**  
T +61-2-8599-4233  
salesau@hikvision.com

**Hikvision Hong Kong**  
T +852-2151-1761

**Hikvision Middle East**  
T +971-4-8816086  
salesme@hikvision.com

**Hikvision Spain**  
T +34-91-737-16-55  
info.es@hikvision.com

**Hikvision Canada**  
T +1-909-895-0400  
sales.usa@hikvision.com

**Hikvision Russia**  
T +7-495-669-67-99  
saleru@hikvision.com

**Hikvision Poland**  
T +48-22-460-01-50  
poland@hikvision.com

**Hikvision Korea**  
T +82-31-731-8841  
sales.korea@hikvision.com

**Hikvision India**  
T +91-22-28469900  
sales@pramahikvision.com

**Hikvision UK**  
T +01628-902140  
support.uk@hikvision.com

**Hikvision Brazil**  
T +55 11 3318-0050  
Latam.support@hikvision.com